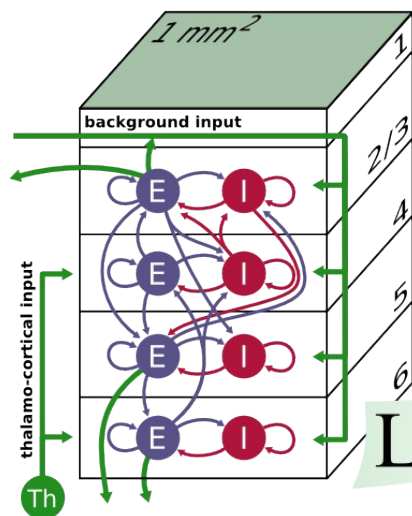


Simulating macroscale brain circuits with microscale resolution

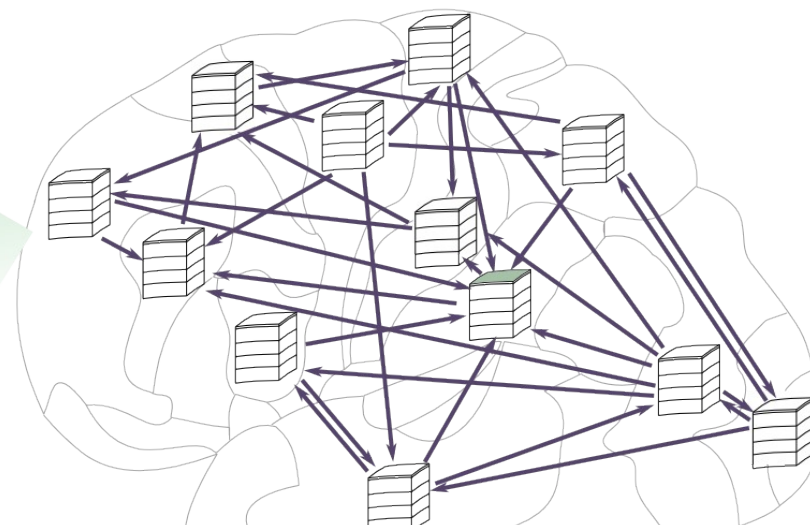
Abigail Morrison, RIKEN BSI

Simulation goal:

- Brainscale simulations
- 10^7 Neurons
- 10^{11} Synapses
- Local microcircuitry
- Brainscale networks

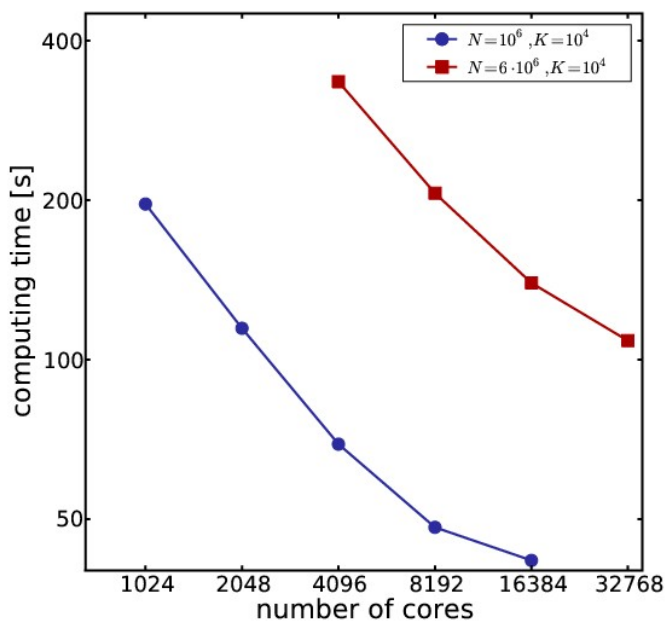


Local



Macroscopic

Scaling: 32,768 processors



Analysis of memory requirement

